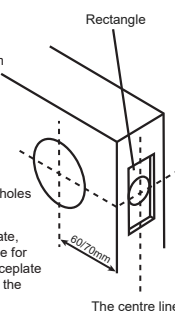
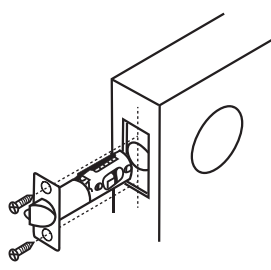
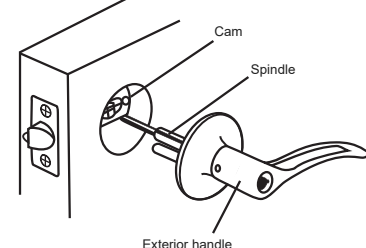
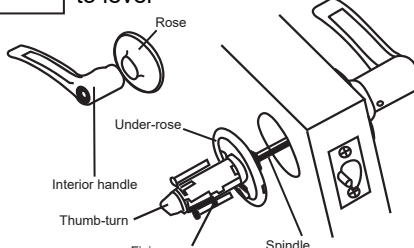
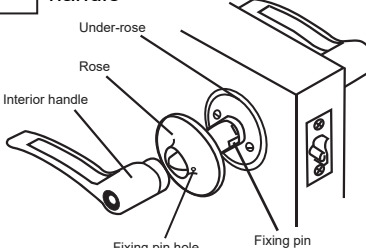
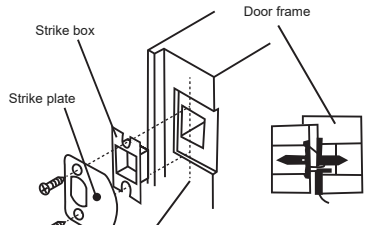
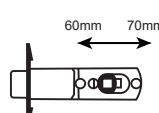
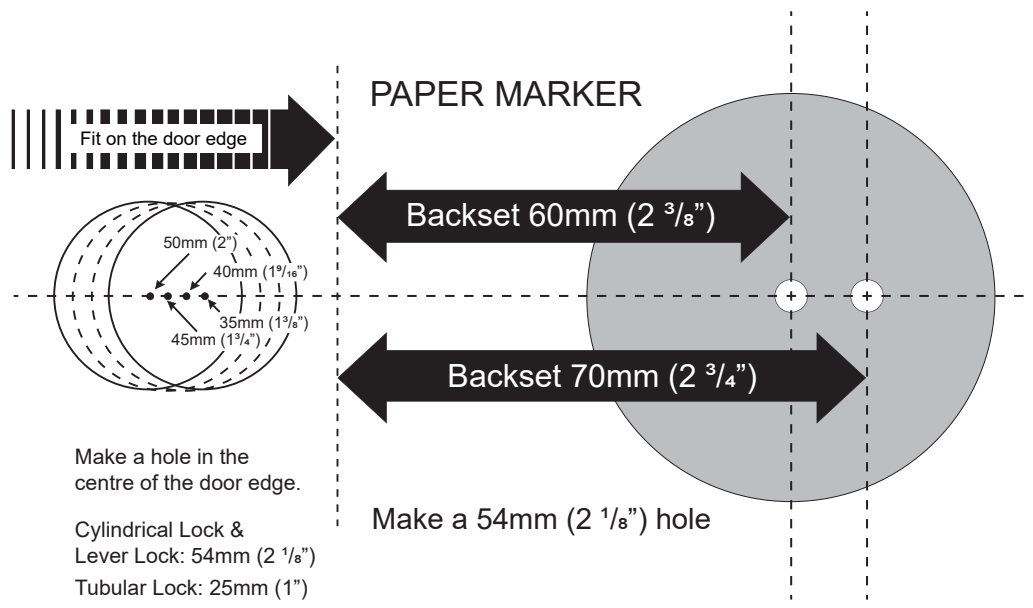


Installation Instructions of a Tubular Handle Lock

Note: The handle can be adjusted for right or left handed doors - Please refer to instruction 8 for details.

Please read these instructions prior to installaion

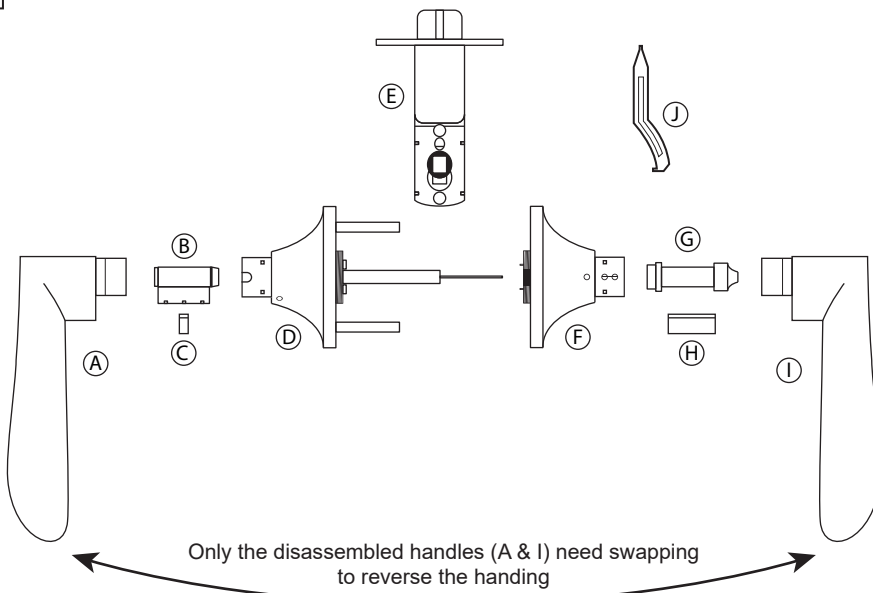
<p>1 Mark position & drill hole</p> <p>A. Determine the location of the holes and backset, 60mm (2 3/8") or 70mm (2 3/4").</p> <p>B. Cut out the paper marker below, fold and place on the edge of the door.</p> <p>C. Mark the door face for a Ø 54mm hole and the centre line of the door edge for Ø 23mm hole and drill the holes accordingly.</p> <p>D. Outline the edge of the latch faceplate, chisel out a 58 x 26 x 3mm rectangle for the faceplate to recess in to. The faceplate of the deadbolt should be flush with the door edge.</p> 	<p>2 Install Latch</p>  <p>A. Adjust the latch backset to 60mm (2 3/8") or 70mm (2 3/4") (Refer to Instruction 7 for details).</p> <p>B. Insert the latch and tighten with the screws provided.</p>	<p>3 Install front lever and fixings to door</p>  <p>A. Insert the spindle of the exterior handle through the latch cam.</p>
<p>4 Installing the thumb turn to lever</p>  <p>A. Disassemble the interior handle (please refer to Instruction 8) and remove the rose with a flat head screw driver. Attach the under-rose using the fixing screws provided ensuring the fixing pin is facing towards the door edge. Then slide the thumb onto the spindle.</p>	<p>5 Install the under rose and handle</p>  <p>A. Snap the rose onto the under-rose (ensure the fixing pin hole is facing towards the door edge).</p> <p>B. Slide the handle onto the rose stem until it clicks into place (check that the handle is secure).</p>	<p>6 Install Striker Plate</p>  <p>The centre line of door thickness</p>
<p>7 Latch Instructions</p>  <p>A. Draw the cam backward fully. The backset will be adjusted to 70mm (2 3/4") from 60mm (2 3/8"). During the adjustment, keep the teeth of the cam forward whilst fitting.</p>	<p>Turn over for Instruction 8</p>	



When printing, ensure it is done to actual size. Measure the above diagram to make sure.

8

Reversing the Handing



- A. Handle
- B. Lock Cylinder
- C. Small Plastic Stopper
- D. External Rose
- E. Latch
- F. Interior Rose
- G. Thumb-turn
- H. Large Plastic Stopper
- I. Handle
- J. Fixing Pin Key

To reverse the handle operation, the only components that needs to be swapped over are the disassembled handles (A & I). The roses cannot be swapped round.

The cylinder (B) and thumb-turn (G) need to be removed from the handles. The cylinder only works with the exterior rose and the thumb-turn only works with the interior rose (F).

To remove the handles, ensure both are in the unlocked position. Then, release the fixing pin by inserting the fixing pin key (J) into the hole in the rose stem (for the exterior rose you will have to turn the handle slightly to see the fixing pin).

When disassembling the handle with the thumb-turn, the thumb-turn should come out easily. Remove the large plastic stopper (H).

To disassemble the handle with the cylinder, push the cylinder out by pressing on the key entry face. This should push out the small plastic stopper (C) with the cylinder (B).

Once this is done you should have all the components loose as shown in the diagram above.

Swap the handles over and reassemble the exterior side. Insert the cylinder into the handle and push in the small plastic spacer.

Push the assembled handle onto the rose making sure to line up the spring release on the rose stem with the narrow slit in the lever (See diagram on the right).

Install the leverset by following the instructions overleaf.

