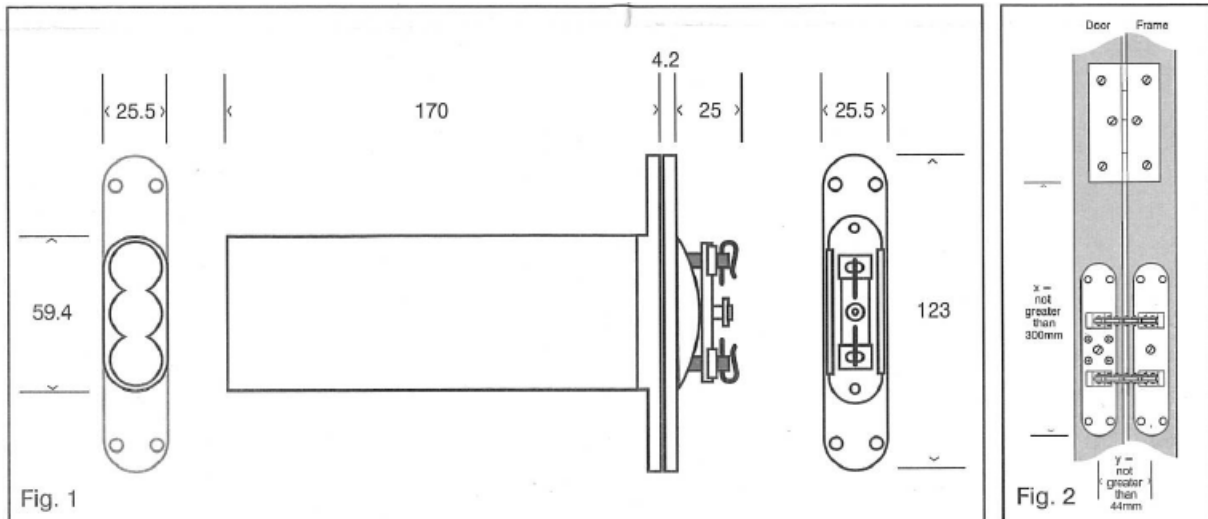


PROMATIC

Adjustable Speed Hydraulic Jamb Closer



Installation Instructions

Create opening in door and frame using dimensions above (Fig. 1) and noting measurements shown in (Fig. 2)

Twist frame fixing plate to reveal holes in door fixing plate (Fig. 3) and insert two screws. Twist in opposite direction and insert remaining two screws.

Prise open frame fixing plate and hold open with chain locks (Fig. 4).

Secure frame fixing plate with four screws and remove chain locks (Fig. 5).

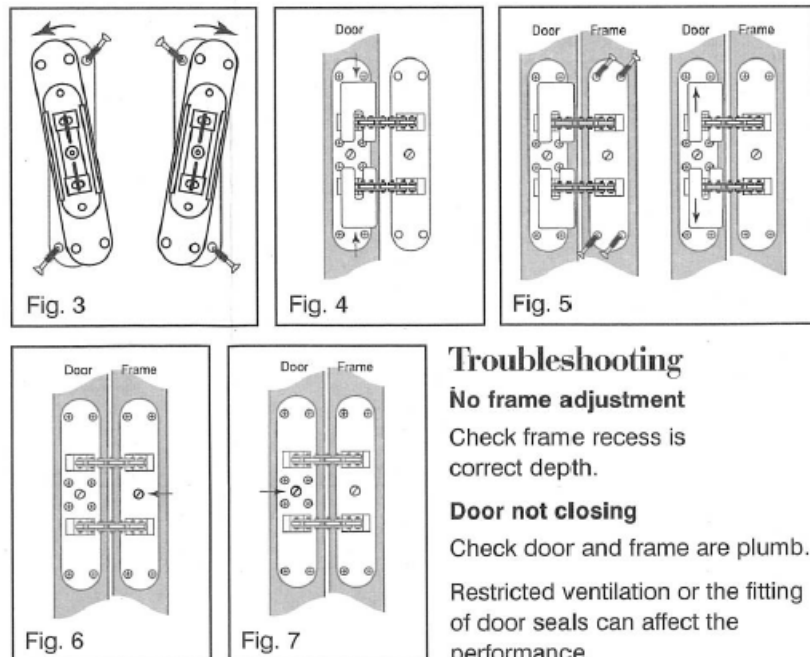
Adjustment

To pull door to frame

Use adjusting screw on frame fixing plate (Fig. 6). Note - adjustment is extremely sensitive - use very small turns only.

To vary closing speed

Use adjusting screw on door fixing plate (Fig. 7). Note - adjustment is extremely sensitive - use very small turns only.



Troubleshooting

No frame adjustment

Check frame recess is correct depth.

Door not closing

Check door and frame are plumb.

Restricted ventilation or the fitting of door seals can affect the performance.

Notes

- Do not use on doors over 80kg
- Do not extend chain beyond 110 degrees
- Do not use with rising, falling, projection or parliament hinges
- Not suitable for external doors
- Always fit a door stop
- Do not use on commercial doorsets