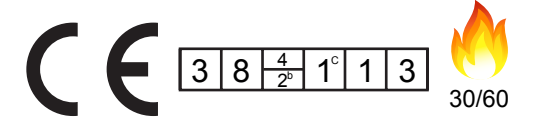


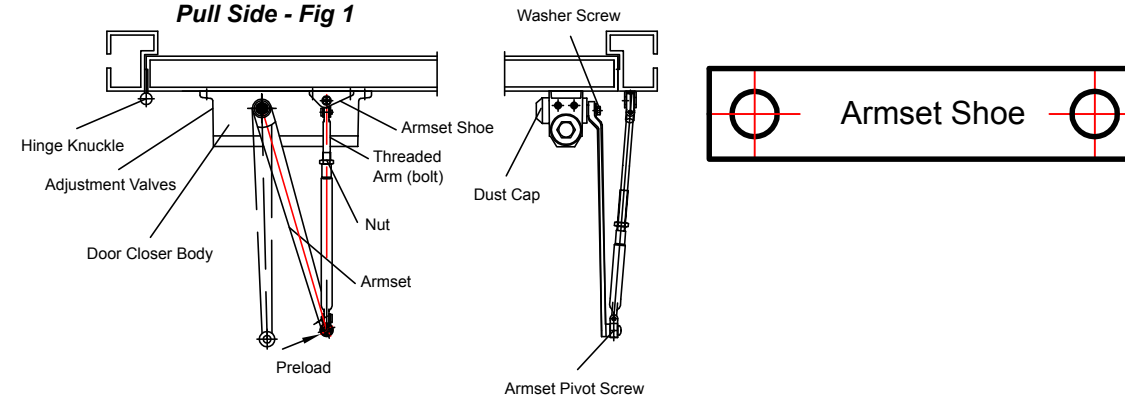
Left hand fitting only, use reverse for right hand fitting.



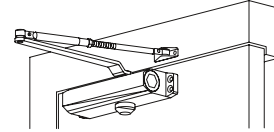
EN1154:1996 / A1:2002 / AC:2006  
EN1634-1:2008 FD30/FD60 Timber Doors  
Fig 1 Application Only

Standard Door Installation - View from above

Pull Side - Fig 1



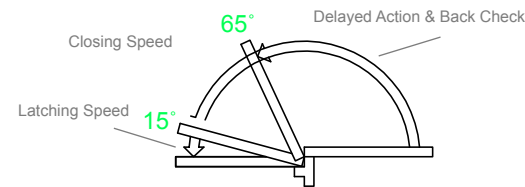
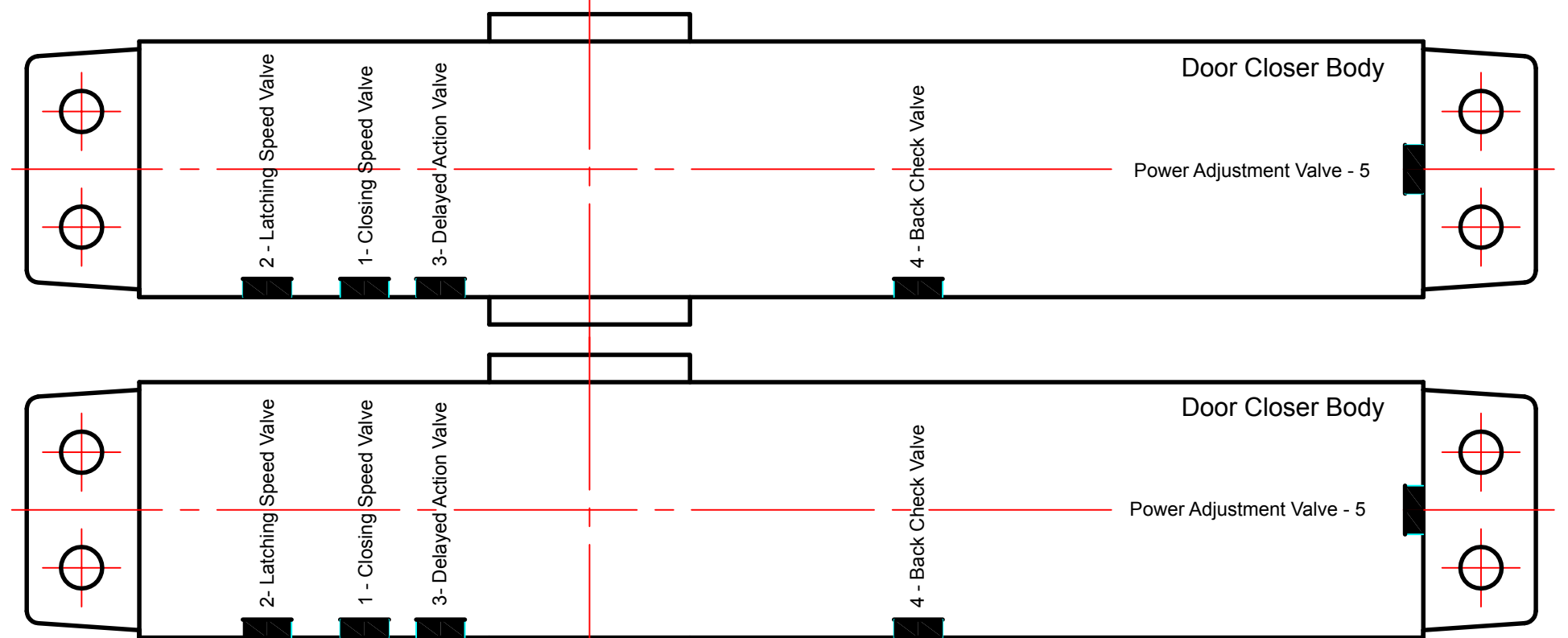
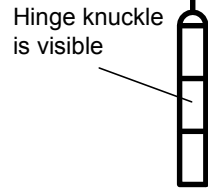
## Standard Door Installation (Pull Side) - Fig 1



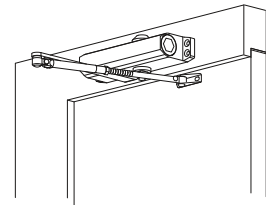
### Step by Step Installation Guide

Use the appropriate template for your installation and place the template on the door and frame. Pilot drill all fixing holes as per the template.

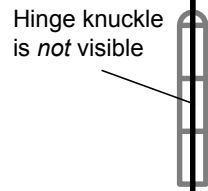
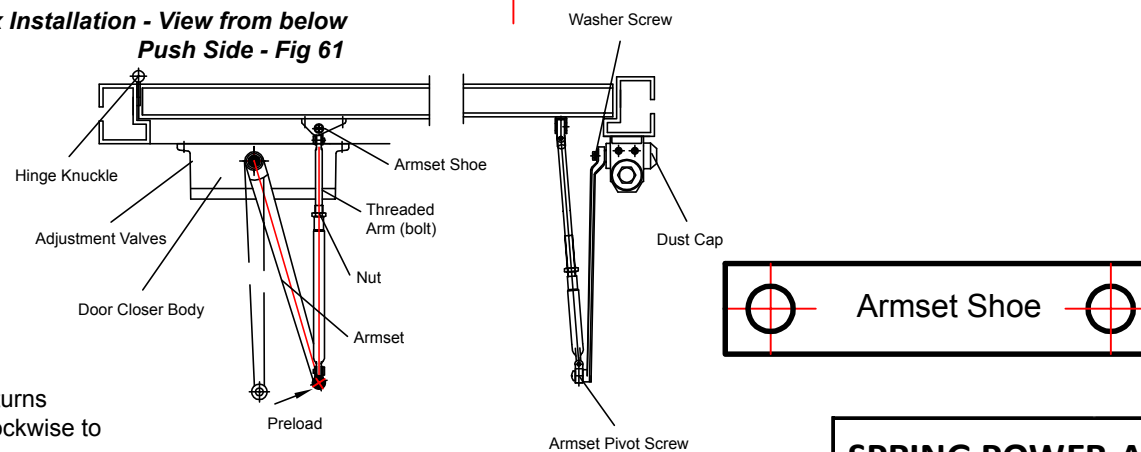
1. Position the door closer with the power adjustment valve facing away from the hinge side of the door. Secure the door closer using the screws provided into the pre-drilled pilot positioning holes.
2. Attach the armset to the pivot on the door closer body and secure using the washer screw.
3. Tension the door closer arm and adjust the arm length accordingly. Secure the arm set shoe to the door or frame depending on installation, then tighten the arm set screw.
4. Apply the dust cap to the unused pivot.
5. Make necessary adjustments to closing, latching, back check, delayed action and door closer power valves as required (refer to valve adjustment instructions).  
*NB after the first month of operation the adjustment valves may require minor adjustment.*



## Frame Fix Installation (Push Side) - Fig 61



Frame Fix Installation - View from below  
Push Side - Fig 61



### SPRING POWER ADJUSTING VALVE

Controls opening and closing force  
Factory setting size 3

Adjust according to table to change closer size when needed

### Valve Adjustment Instruction Guide

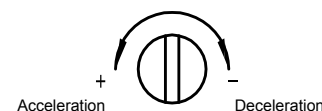
**Closing Speed:** Adjust valve by quarter turns anti-clockwise to increase speed or clockwise to reduce speed.

**Latching Speed:** Adjust valve by quarter turns anti-clockwise to increase speed or clockwise to reduce speed.

**Delayed Action:** Adjust valve by quarter turns anti-clockwise to increase speed or clockwise to reduce speed.

**Back Check:** Adjust valve by quarter turns anti-clockwise to increase speed or clockwise to reduce speed.

**Power Adjustment:** Adjust valve by quarter turns anti-clockwise to reduce power or clockwise to increase power.



### CAUTION

Adjusting valves more than 2 full turns anti-clockwise from factory settings will result in oil leakage damaging the door closer. Failure to comply with this will void the warranty.

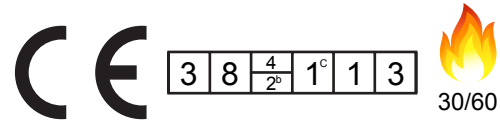
### SPRING POWER-ADJUSTMENT CHART FOR DOOR SELECTIONS

(Up to 1200mm Door Height)

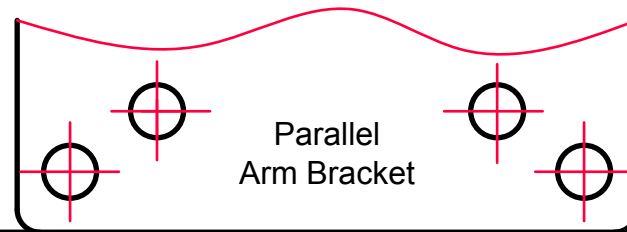
Door Closer Size (2-4)	Applicable door weight (kg)	Applicable max. door width (mm)	No. of turns From factory set position
EN2	30-45	900	-5
EN3	45-65	1000	0
EN4	65-80	1200	5

# XL8800 Series Door Closer Installation

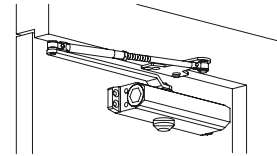
Right hand fitting only, use reverse for left hand fitting.



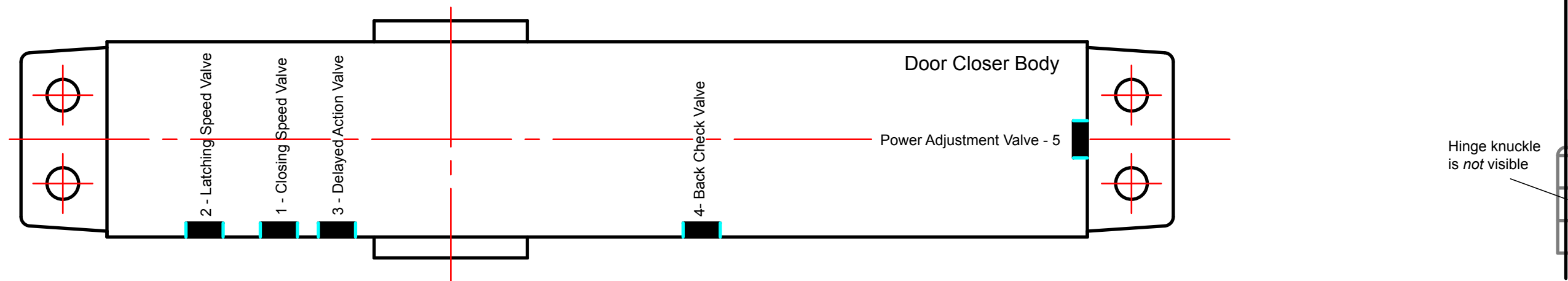
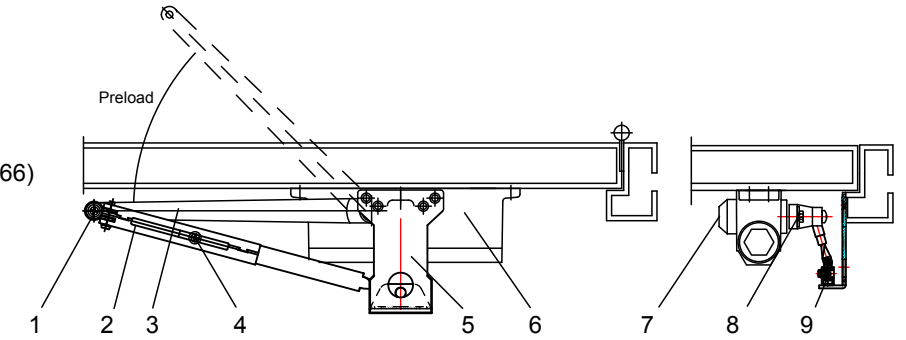
EN1154:1996 / A1:2002 / AC:2006  
EN1634-1:2008 FD30/FD60 Timber Doors  
Fig 1 Application Only



## Parallel Arm Installation (Push Side) - Fig 66



- Key
1. Armset Pivot Screw
  2. Adjustable Forearm
  3. Armset
  4. Fixing Screw
  5. Parallel Arm Bracket (Figure 66)
  6. Door Closer Body
  7. Dust Cap
  8. Assembling Screw
  9. Armset Shoe



### Step by Step Installation Guide

Use the appropriate template for your installation and place the template on the door and frame. Pilot drill all fixing holes as per the template.

1. Position the door closer with the power adjustment valve facing towards the hinge side of the door. Secure the door closer using the screws provided into the pre-drilled pilot positioning holes.
2. Attach the armset to the pivot on the door closer body parallel to the door/frame and secure using the washer screw.
3. Tension the door closer arm and adjust the arm length accordingly. Secure the armset shoe to the figure 66 bracket and tighten the arm set fixing screw (4).
4. Add the dust cap to the unused pivot.
5. Make necessary adjustments to closing, latching, back check, delayed action and door closer power valves as required (refer to valve adjustment instructions). *NB after the first month of operation the adjustment valves may require minor adjustment.*

### Valve Adjustment Instruction Guide

**Closing Speed:** Adjust valve by quarter turns anti-clockwise to increase speed or clockwise to reduce speed.

**Latching Speed:** Adjust valve by quarter turns anti-clockwise to increase speed or clockwise to reduce speed.

**Delayed Action:** Adjust valve by quarter turns anti-clockwise to increase speed or clockwise to reduce speed.

**Back Check:** Adjust valve by quarter turns anti-clockwise to increase speed or clockwise to reduce speed.

**Power Adjustment:** Adjust valve by quarter turns anti-clockwise to reduce power or clockwise to increase power.

### CAUTION

Adjusting valves more than 2 full turns anti-clockwise from factory settings will result in oil leakage damaging the door closer. Failure to comply with this will void the warranty.



### SPRING POWER ADJUSTING VALVE

Controls opening and closing force  
Factory setting size 3  
Adjust according to table to change closer size when needed

### SPRING POWER-ADJUSTMENT CHART FOR DOOR SELECTIONS (Up to 1200mm Door Height)

Door Closer Size (2-4)	Applicable door weight (kg)	Applicable max. door width (mm)	No. of turns From factory set position
EN2	30-45	900	-5
EN3	45-65	1000	0
EN4	65-80	1200	5

