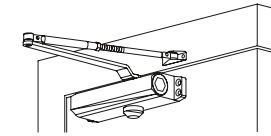
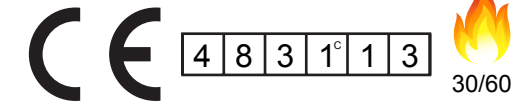


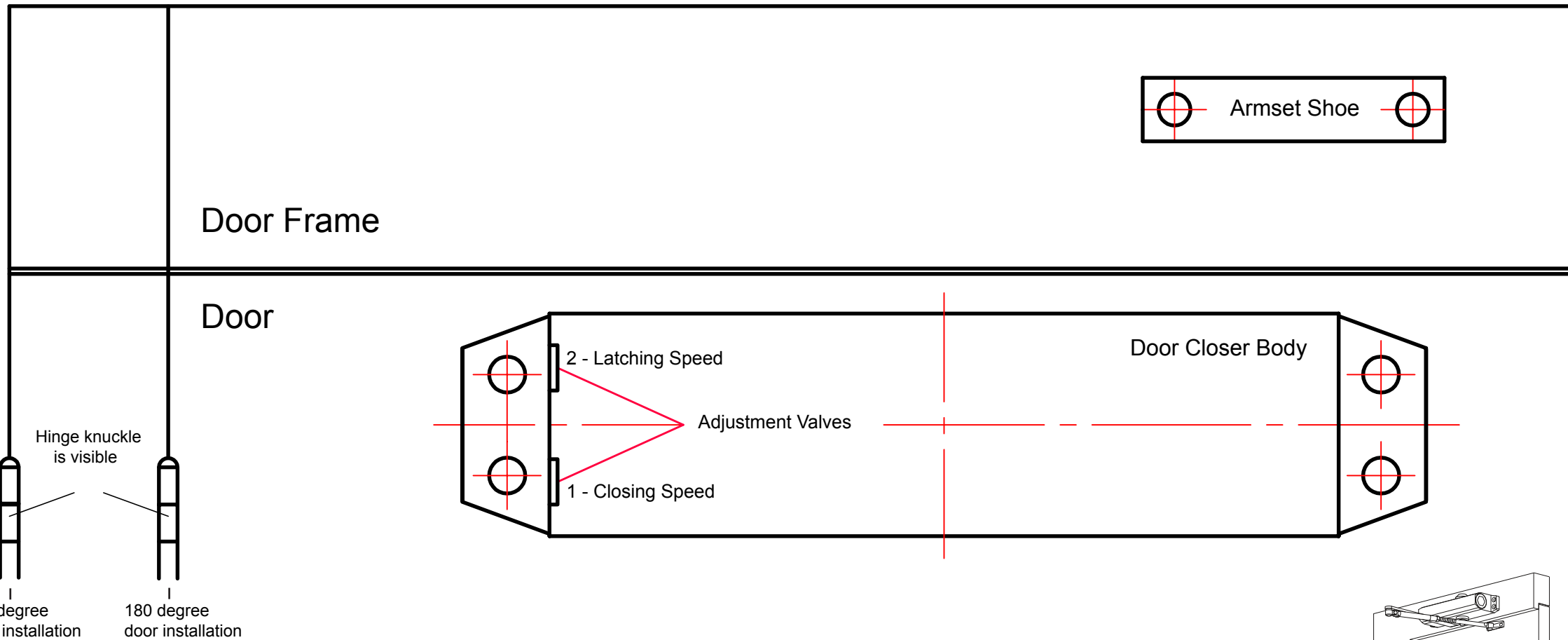
Standard Door Installation (Pull Side) - Fig 1



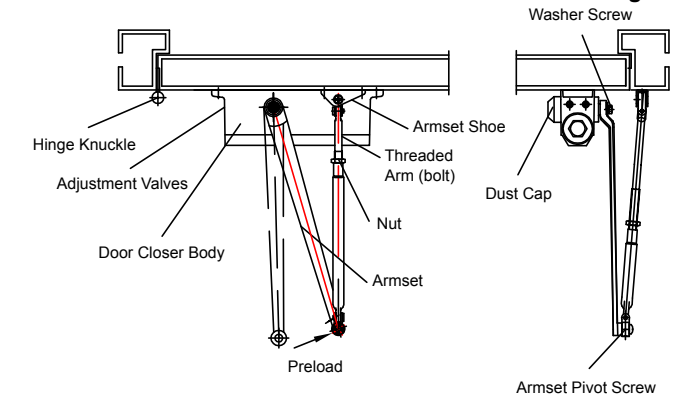
XL8000 Series Door Closer Installation



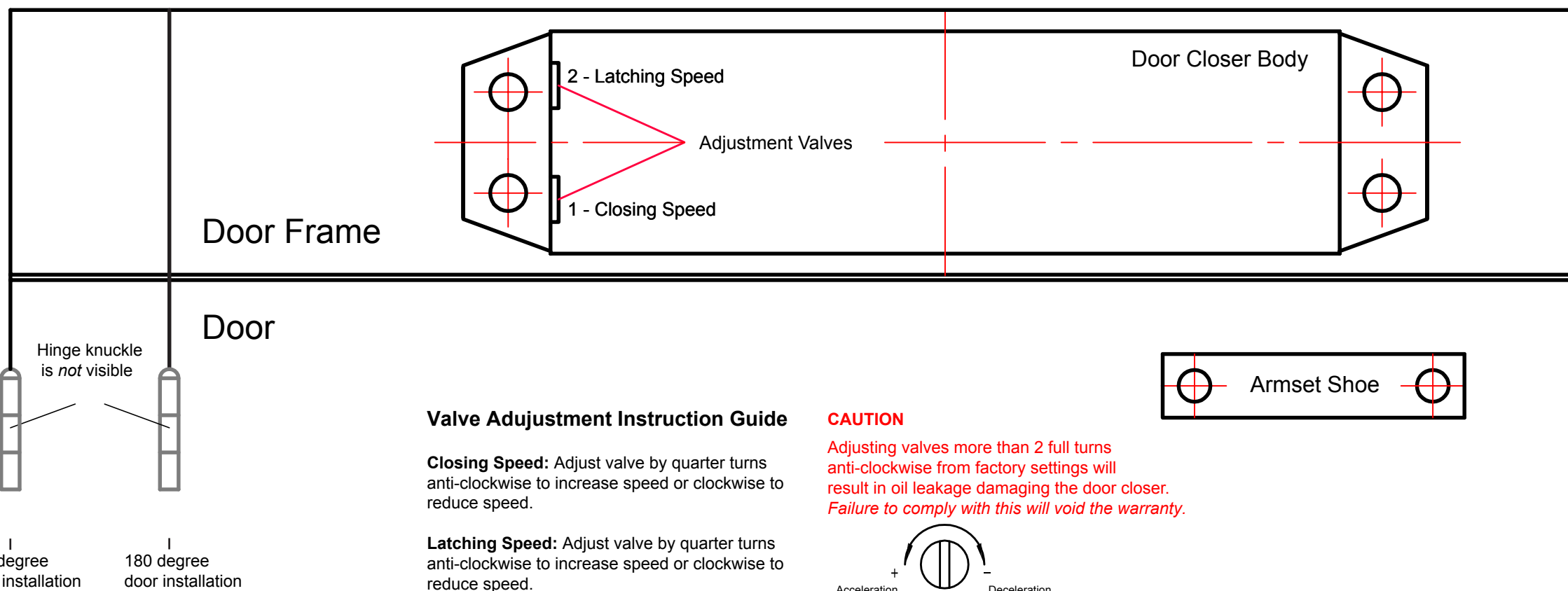
EN1154:1996 / A1:2002 / AC:2006
EN1634-1:2008 FD30/FD60 Timber Doors
**Fig 1 Application Only*



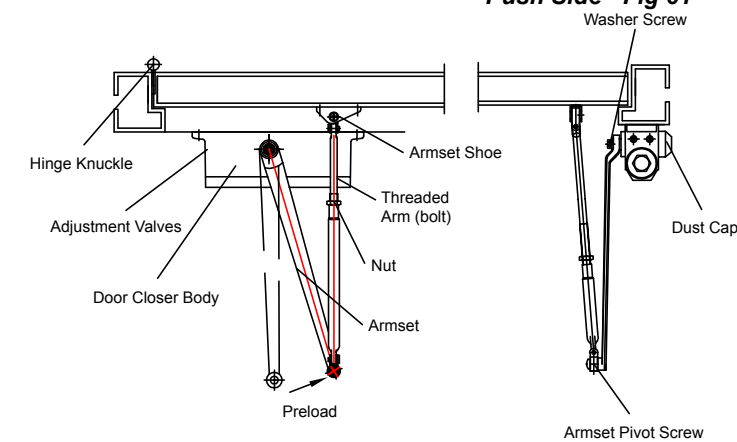
Standard Door Installation - View from above Pull Side - Fig 1



Frame Fix Installation (Push Side) - Fig 61



Frame Fix Installation - View from below Push Side - Fig 61



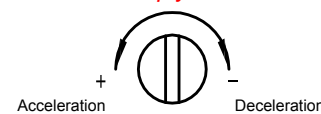
Valve Adjustment Instruction Guide

Closing Speed: Adjust valve by quarter turns anti-clockwise to increase speed or clockwise to reduce speed.

Latching Speed: Adjust valve by quarter turns anti-clockwise to increase speed or clockwise to reduce speed.

CAUTION

Adjusting valves more than 2 full turns anti-clockwise from factory settings will result in oil leakage damaging the door closer. Failure to comply with this will void the warranty.

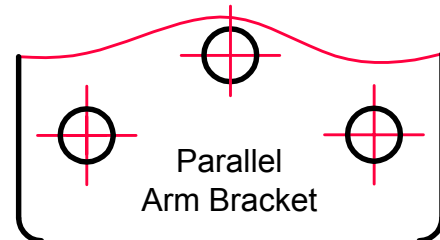


Step by Step Installation Guide

Use the appropriate template for your installation and place the template on the door and frame. Pilot drill all fixing holes as per the template.

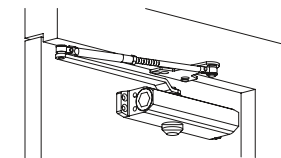
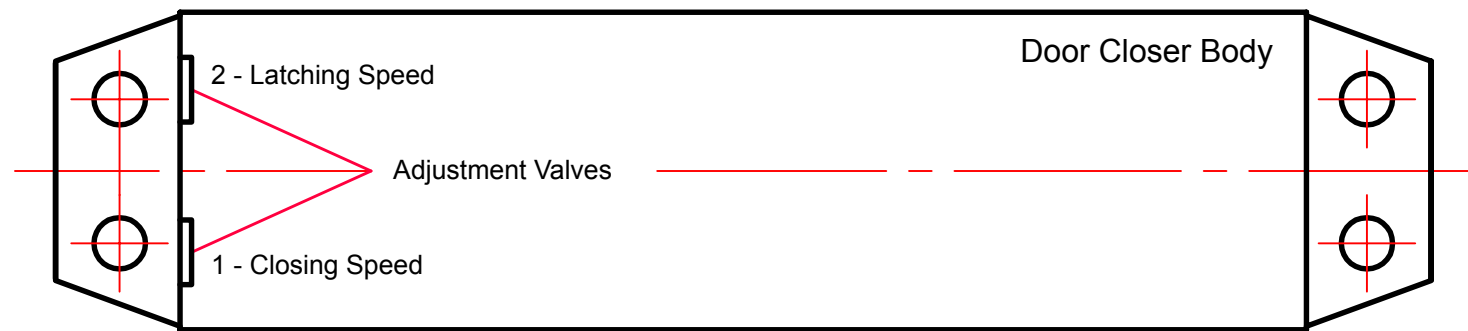
1. Position the door closer with the adjustment valves facing the hinge side of the door. Secure the door closer using the screws provided into the pre-drilled pilot positioning holes.
2. Attach the armset to the pivot on the door closer body and secure using the washer screw.
3. Tension the door closer arm and adjust the arm length accordingly. Secure the arm set shoe to the door or frame depending on installation, then tighten the arm set nut.
4. Apply the dust cap to the unused pivot.
5. Adjust the closing and latching speeds as required - refer to adjustment instructions.
NB after the first month of operation the closing and latching speed valves may require minor adjustment.

Door Frame

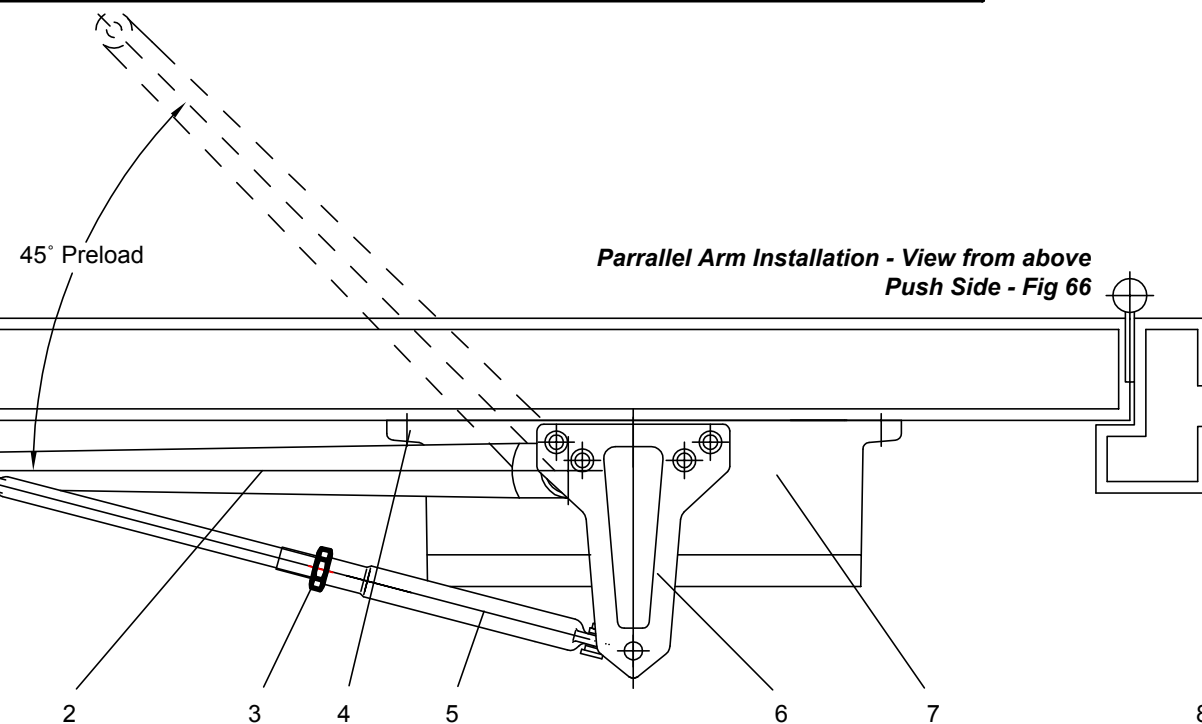


Parallel Arm Installation (Push Side) - Fig 66

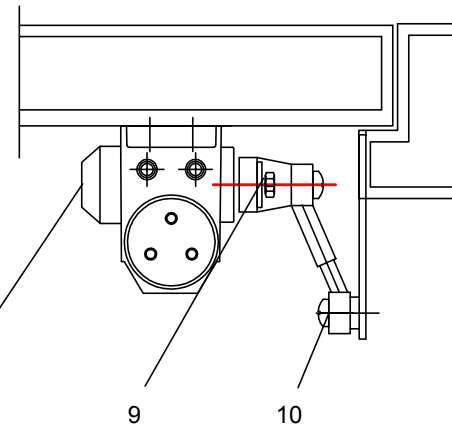
Door



Hinge knuckle
is not visible



- Key
1. Armset Pivot Screw
 2. Armset
 3. Nut
 4. Adjustment Valves
 5. Threaded Arm (Bolt)
 6. Parallel Bracket (Figure 66)
 7. Door Closer Body
 8. Dust Cap
 9. Washer Screw
 10. Assembling Screw



Step by Step Installation Guide

Use the appropriate template for your installation and place the template on the door and frame. Pilot drill all fixing holes as per the template.

1. Position the door closer with the adjustment valves facing away from the hinge side of the door. Secure the door closer and bracket using the screws provided into the pre-drilled pilot positioning holes.
2. Remove the shoe from the door closer arm.
3. Attach the armset to the pivot on the door closer body parallel to the door/frame and secure using the washer screw.
4. Tension the door closer arm and adjust the arm length accordingly. Secure the arm to the figure 66 bracket and tighten the arm set nut.
5. Add the dust cap to the unused pivot.
6. Adjust the closing and latching speeds as required - refer to adjustment instructions.
NB after the first month of operation the closing and latching speed valves may require minor adjustment.

Valve Adjustment Instruction Guide

Closing Speed: Adjust valve by quarter turns anti-clockwise to increase speed or clockwise to reduce speed.

Latching Speed: Adjust valve by quarter turns anti-clockwise to increase speed or clockwise to reduce speed.

CAUTION

Adjusting valves more than 2 full turns anti-clockwise from factory settings will result in oil leakage damaging the door closer. Failure to comply with this will void the warranty.

