

PLEASE NOTE: When printing these instructions, be sure to print at "Actual Size".

Step 1

- Fold template where indicated.
- Position template on door edge at desired latch height.
- Firmly hold template and mark latch height and handle fixing holes (refer to template).
- Measure door thickness and mark centre point for latch.
- Drill 25mm (1") latch hole to a depth of 75mm into the door
- Drill three 5mm holes (**B, C & D**) and one 20mm hole (**A**) through door face as marked on template.

Note: It is important to drill the hole squarely.

Step 2

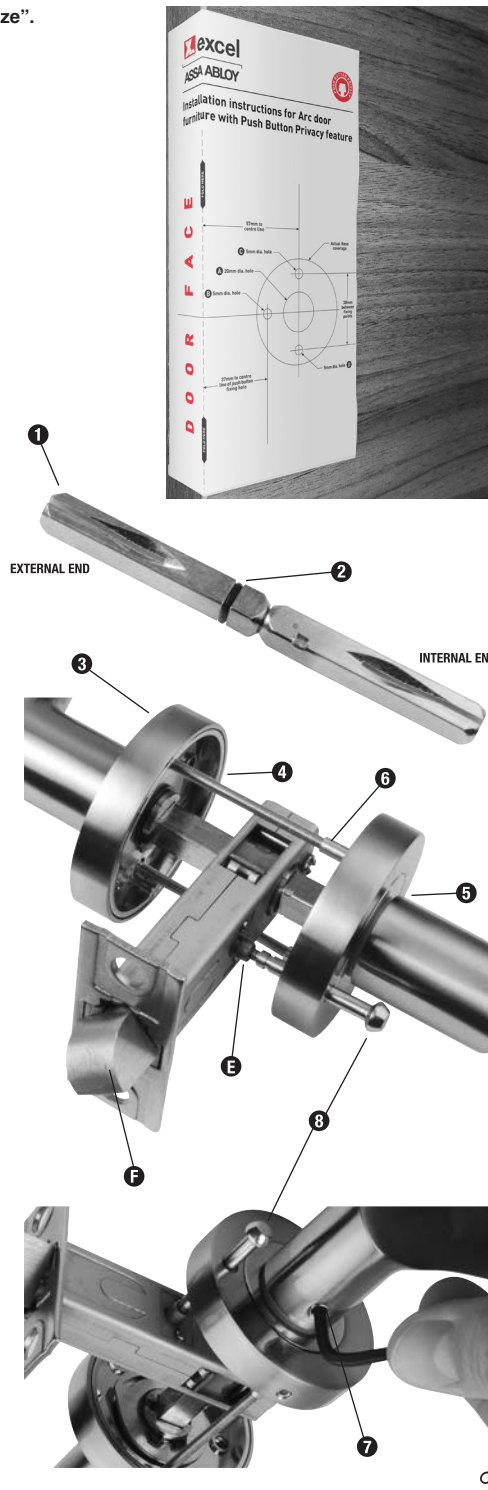
- Mark and chisel door edge for latch face plate to a recess of 4mm or until flush with door. Use latch face plate as a template.
- Insert latch in door ensuring threaded button (**E**) is on the inside of the room where privacy is wanted. Also ensure latchbolt (**F**) is correctly placed for door operation - bevelled area of latchbolt should face direction of door closure. Rotate latchbolt if required.
- Assemble face plate to latch. (This will fix the bevel bolt in place and prevent any rotation)
- Fasten with wood screws provided.

Step 3 - Install lever assemblies to door

- Insert square drive spindle (1) through latch in door from the internal side.
- Position the "O" ring (2) onto the groove in the spindle on the opposite side of door to that which the spindle entered. (**This must be done to prevent spindle moving during operation, and therefore preventing potential mechanism failure.**)
- Identify which side of the door each lever assembly will need to be located in order to allow both levers to move in a downward motion once installed.
- Remove rosette covers (3) from both lever assemblies.
- Place one lever assembly (4) onto the square drive spindle.
- Place other lever assembly (5) into position, locating it onto the other end of spindle.
- Fasten both lever assemblies together with bolt through fixings provided (6): Cut down bolts for thin doors. Use the wood screws to secure each rose to the door.
- Tighten the grub screws (7) at base of levers on both sides with the hexagonal key provided, ensuring the spindle is correctly located so the grub screw penetrates the split in the spindle (1)
- Re-apply rosette covers (3) to both under-roses, then secure in place using the hexagonal key provided.
- Install the privacy button (8) through the privacy button/emergency release hole on the internal side of the door and screw tight.

Operation

Push button Privacy has been designed to create an easy fit solution to domestic privacy / bathroom applications. Bathroom door can be locked from the inside by pressing the button. Egress is achieved by pressing the lever down from the inside, which immediately withdraws the latch bolt and opens the door. For the outside, the handle is locked when the button is pressed. In the event that emergency access is required, the mechanism can be released by placing a hexagonal key or similar long thin object into the small hole in the external rose, and pressing the latch pin in.



Installation instructions for Arc door furniture with Push Button Privacy feature

